

HONDA CMX1100 REBEL '21-

M O U N T I N G I N S T R U C T I O N S

REF 20820

CARENABRÍS NG TOURING / WINDSHIELD NEW GENERATION TOURING



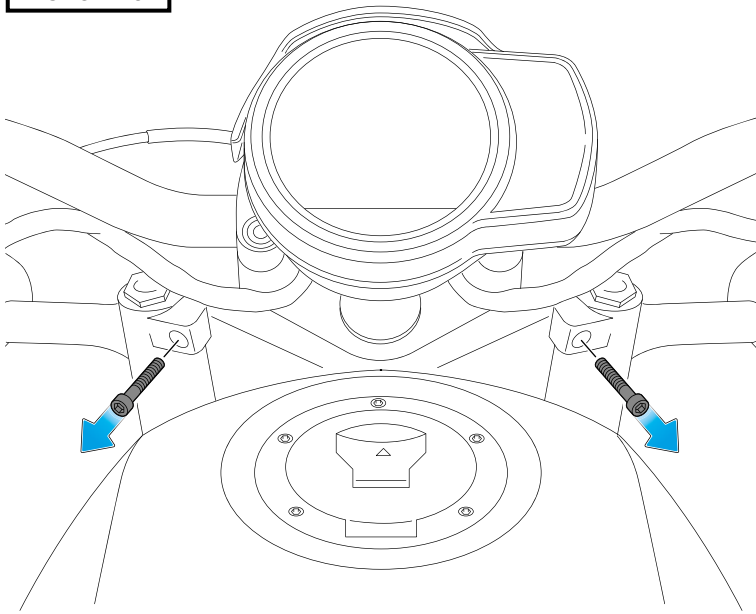
| ID | PIEZA/PART | DESCRIPCIÓN | DESCRIPTION | QTY | REF |
|----|------------|----------------------------------|-------------------------------|-----|------------------|
| 1 | | Cúpula Touring | Touring screen | 1 | 20820F/H/WM3 |
| 2 | | Soporte derecho (R) | Right support (R) | 1 | SOPOR2P2-R20820 |
| 3 | | Soporte izquierdo (L) | Left support (L) | 1 | SOPOR2P2-L20820 |
| 4 | | Tornillo Allen M8x45 ISO 7380 | M8x45 ISO 7380 Allen screw | 2 | TORNI-I7380-817 |
| 5 | | Casquillo Ø8x Ø14 x10 | Ø8x Ø14 x10 Arrowhead | 2 | CASQUI-----576 |
| 6 | | Silentblock M5 | M5 silentblock | 4 | SILENTBTM5-046/1 |
| 7 | | Arandela de nylon M5x1 | M5x1 nylon washer | 4 | ARNV000000000245 |
| 8 | | Tornillo Allen M5x16 Ø11 ISO7380 | M5x16 Ø11 ISO7380 Allen screw | 4 | TORNI-I7380-493 |
| 9 | | Tapón tornillo M5 ISO 7380 | M5 ISO 7380 screw cap | 4 | TAPON-----85 |

HONDA CMX1100 REBEL '21-

INSTRUCCIONES DE MONTAJE - MOUNTING INSTRUCTIONS - MONTAGEANLEITUNG

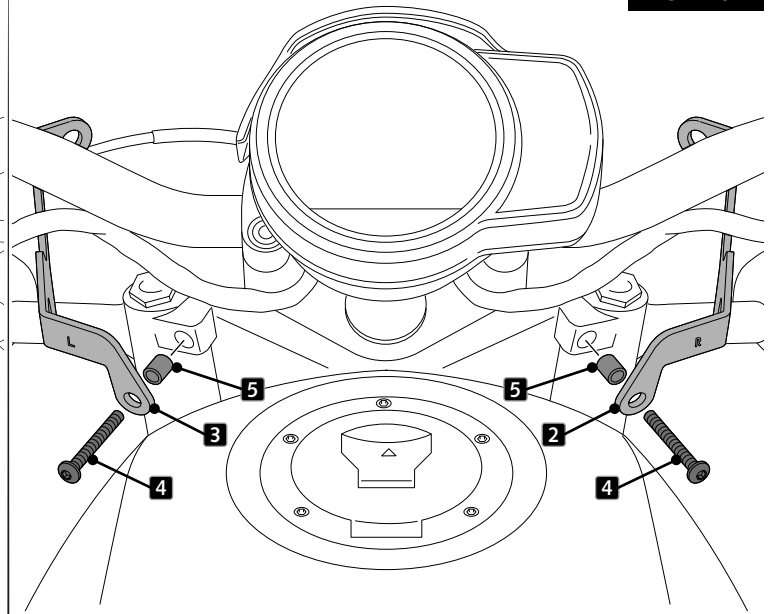
1

**DISASSEMBLY
DESMONTAJE**



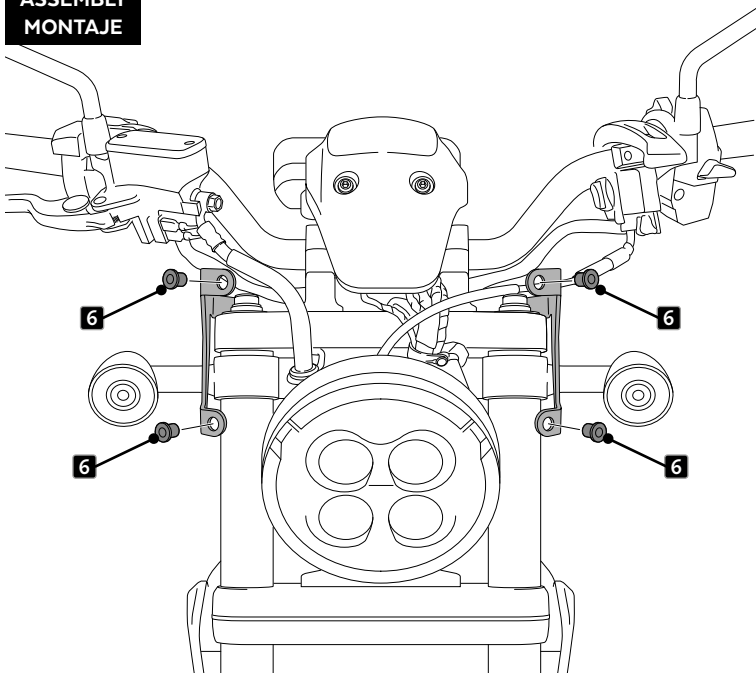
2

**ASSEMBLY
MONTAJE**



3

**ASSEMBLY
MONTAJE**



4

**ASSEMBLY
MONTAJE**

