

HONDA REBEL CMX 300-500 '17- / S' 20-

M O U N T I N G I N S T R U C T I O N S

REF 21059

SEMIFAIRING BATWING SML SPORT MODEL



1 Person



20 min



EASY



ONLY FOR REBEL "S": ANTES DE INSTALAR EL PRODUCTO, DESMONTAR EL SEMI-FARO ORIGINAL
BEFORE INSTALLING THE PRODUCT, TAKE APART THE OEM SEMI-FAIRING



ALLEN

Nº 3
Nº 6
Nº 8



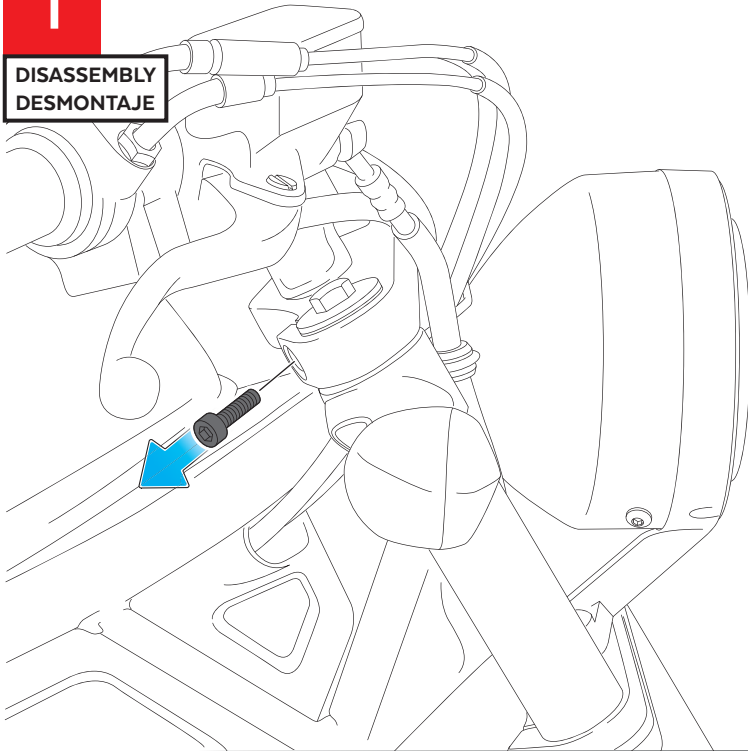
| ID | PIEZA/PART | DESCRIPCIÓN | DESCRIPTION | QTY | REF |
|----|------------|-----------------------------------|--------------------------------|-----|-----------------|
| 1 | | Semicarenado | Semifairing | 1 | 10897N |
| 2 | | Cúpula Touring | Touring screen | 1 | 10899 |
| 3 | | Soporte derecho superior (SR) | Upper right support | 1 | SOP4P3SRBTM0002 |
| 4 | | Soporte superior izquierdo (SL) | Upper left support | 1 | SOP4P3SLBTM0002 |
| 5 | | Soporte inferior derecho (IR) | Lower right support | 1 | SOP4P3IRBTM0002 |
| 6 | | Soporte inferior izquierdo (IL) | Lower left support | 1 | SOP4P3ILBTM0002 |
| 7 | | Arandela de goma Ø4,5 x Ø11 x 2mm | Ø4,5 x Ø11 x 2mm rubber washer | 2 | ARAND-EPDM--722 |
| 8 | | Tornillo Allen M8x45 ISO 7380 | M8x45 ISO 7380 Allen screw | 2 | TORNI-I7380-817 |
| 9 | | Casquillo Ø8x Ø14x 9 | Ø8x Ø14x 9 spacer | 2 | CASQUI-----0100 |
| 10 | | Silentblock M5 | M5 silentblock | 4 | SILENBTM5-046/1 |
| 11 | | Arandela nylon M5x1 | M5x1 nylon washer | 4 | ARNV0000000245 |
| 12 | | Tornillo Allen M5x16 Ø11 ISO 7380 | M5x16 Ø11 ISO 7380 Allen screw | 6 | TORNI-I7380-493 |
| 13 | | Tapón tornillo M5 ISO 7380 | M5 ISO 7380 screw cap | 4 | TAPON-----85 |
| 14 | | Tornillo Allen M4x12 ISO7380 | M4x12 ISO 7380 Allen screw | 3 | TORNI-I7380-800 |
| 15 | | Arandela nylon M4x0,5 | M4x0,5 nylon washer | 6 | ARNV00000000311 |
| 16 | | Tuerca autoblocante M4 | M4 nut | 3 | TUERCAE985-0290 |
| 17 | | Tapón tuerca M4 | M4 cap nut | 3 | TAPON-----91 |

HONDA REBEL CMX 300-500 '17- / S' 20-

INSTRUCCIONES DE MONTAJE - MOUNTING INSTRUCTIONS - MONTAGEANLEITUNG

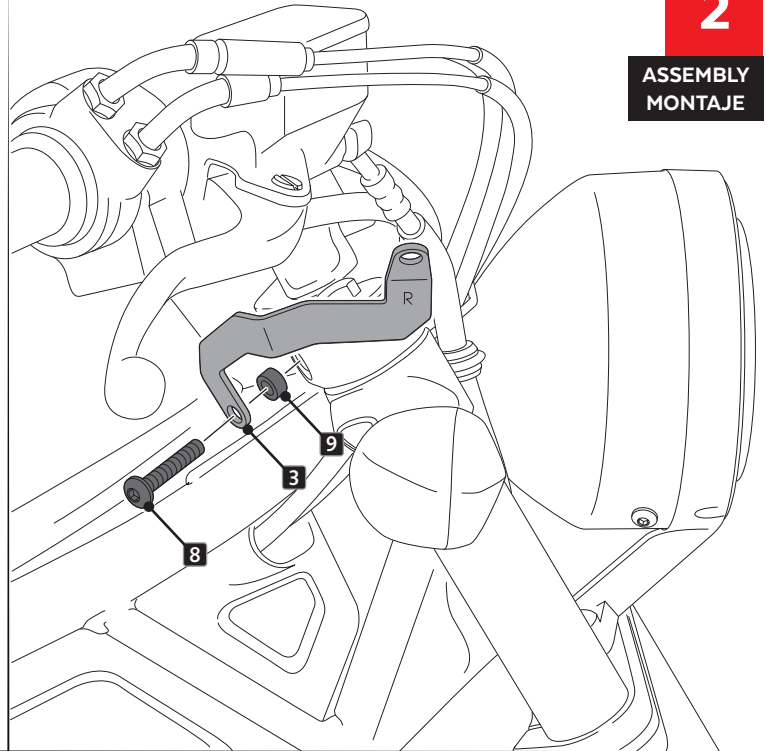
1

DISASSEMBLY
DESMONTAJE



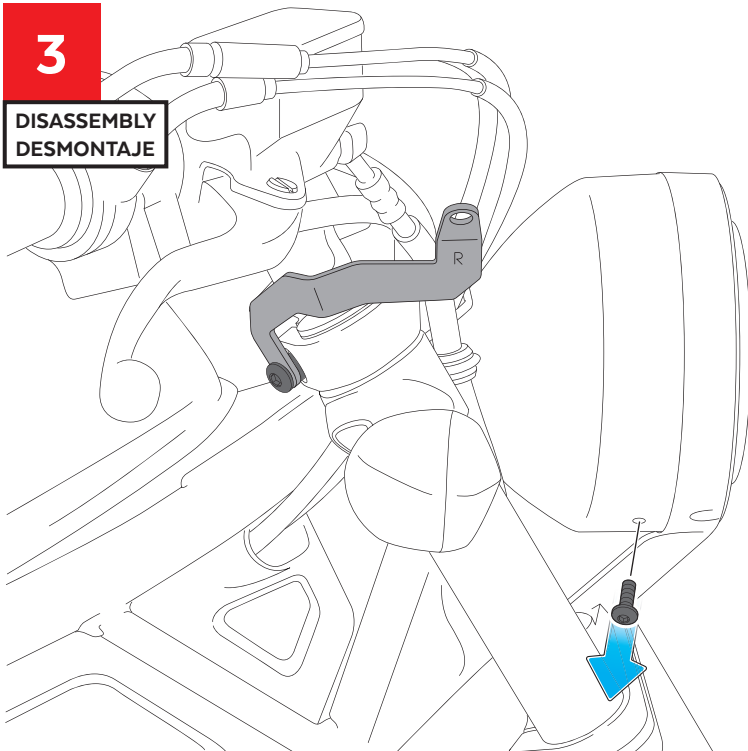
2

ASSEMBLY
MONTAJE



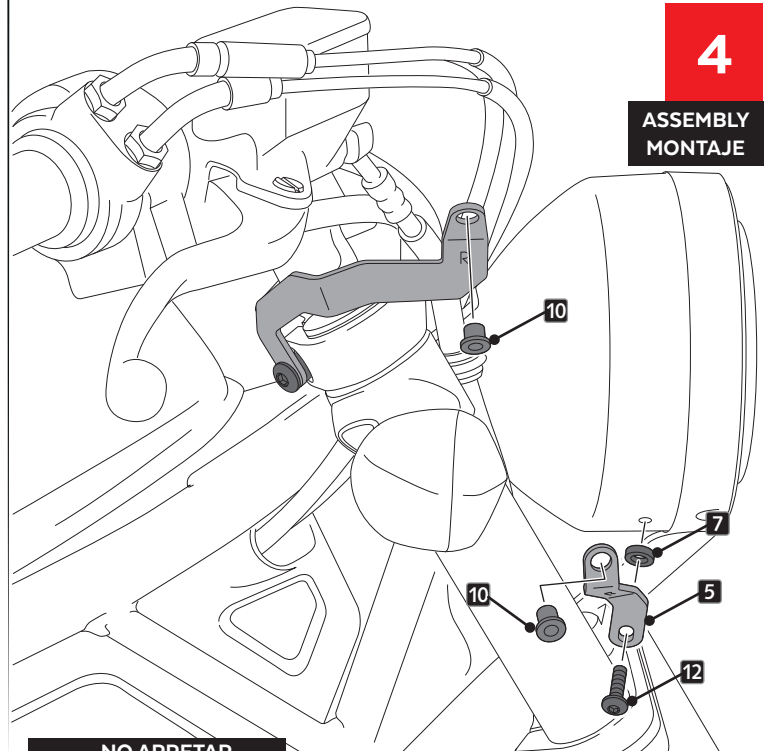
3

DISASSEMBLY
DESMONTAJE



4

ASSEMBLY
MONTAJE



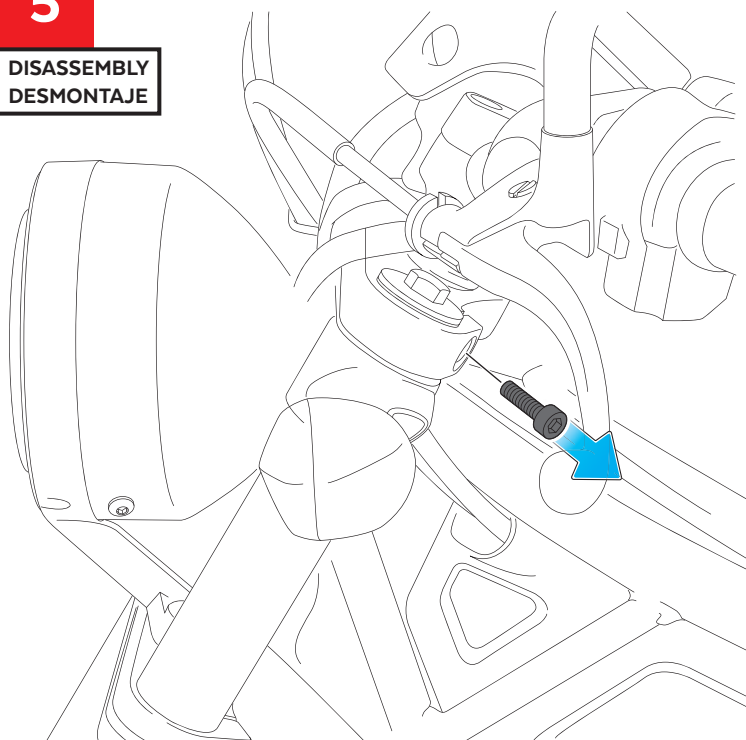
ID-12 NO APRETAR
DO NOT TIGHTEN

HONDA REBEL CMX 300-500 '17- / S' 20-

INSTRUCCIONES DE MONTAJE - MOUNTING INSTRUCTIONS - MONTAGEANLEITUNG

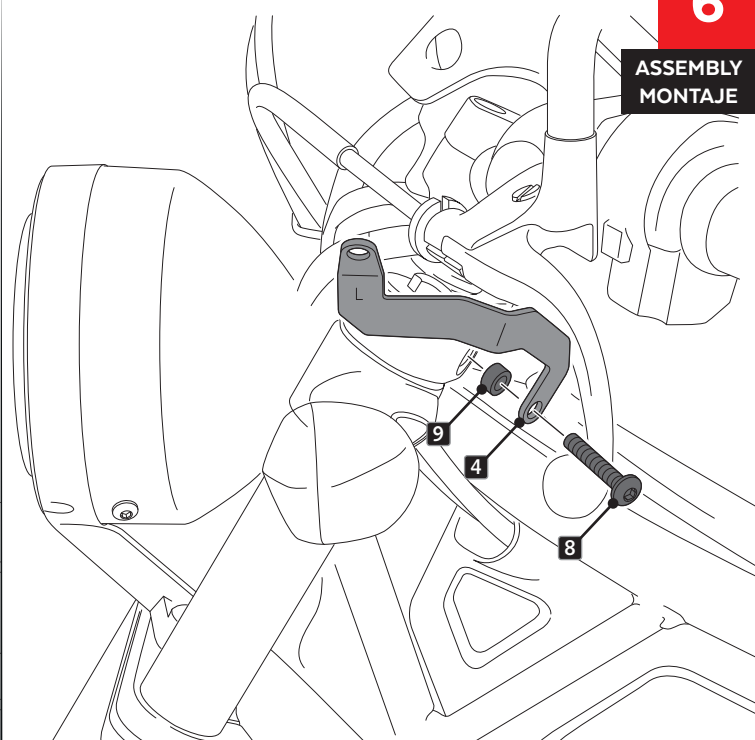
5

DISASSEMBLY
DESMONTAJE



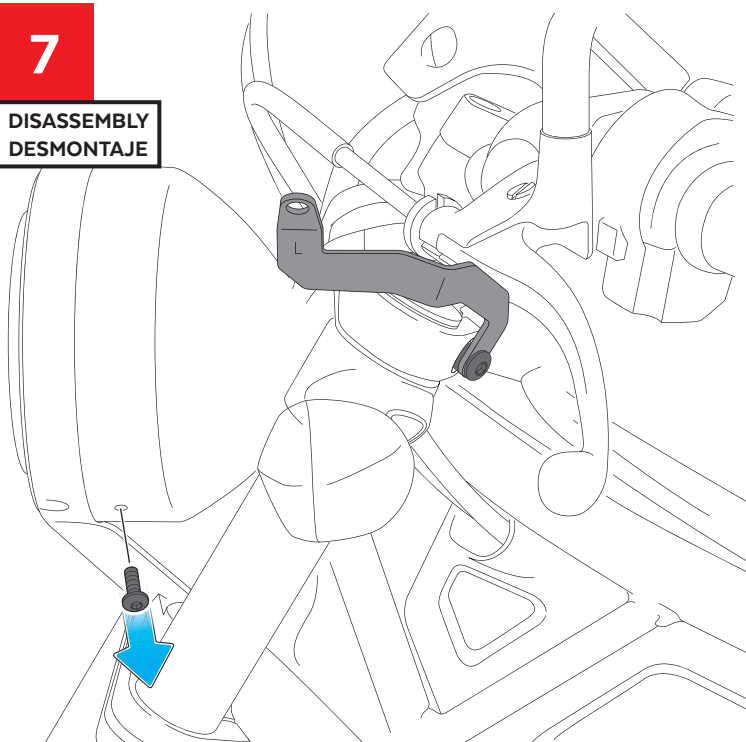
6

ASSEMBLY
MONTAJE



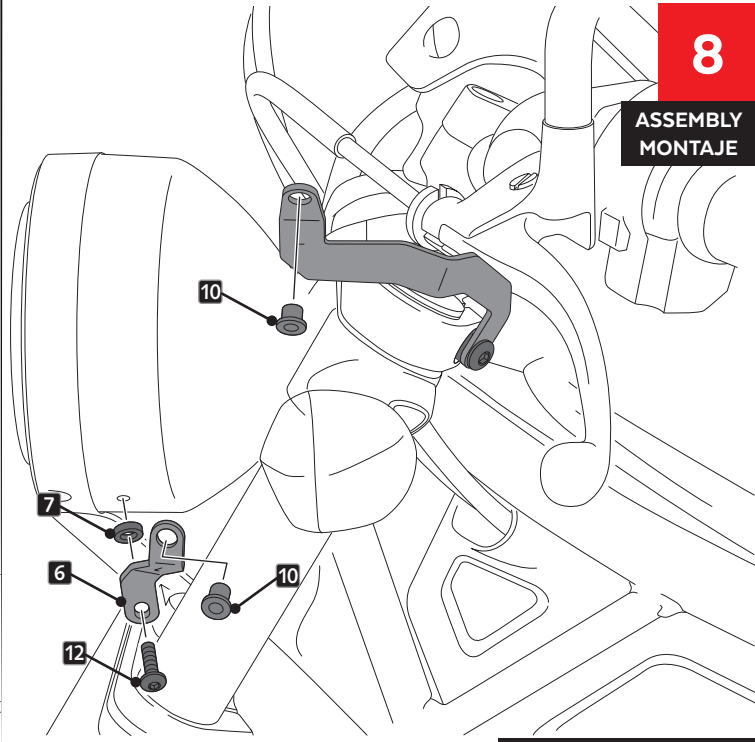
7

DISASSEMBLY
DESMONTAJE



8

ASSEMBLY
MONTAJE



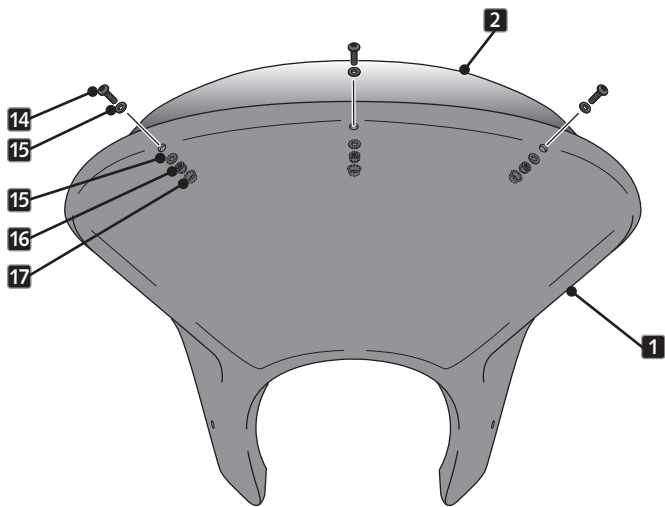
ID-12 NO APRETAR
DO NOT TIGHTEN

HONDA REBEL CMX 300-500 '17- / S' 20-

INSTRUCCIONES DE MONTAJE - MOUNTING INSTRUCTIONS - MONTAGEANLEITUNG

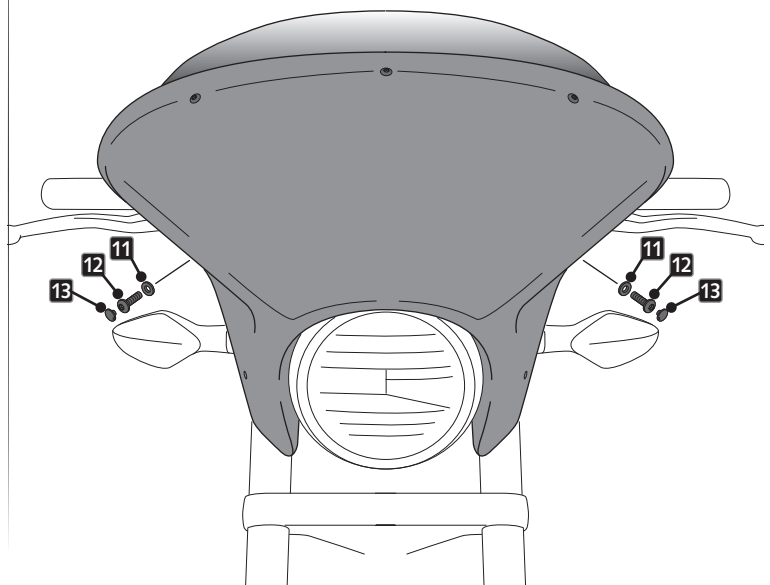
9

ASSEMBLY
MONTAJE



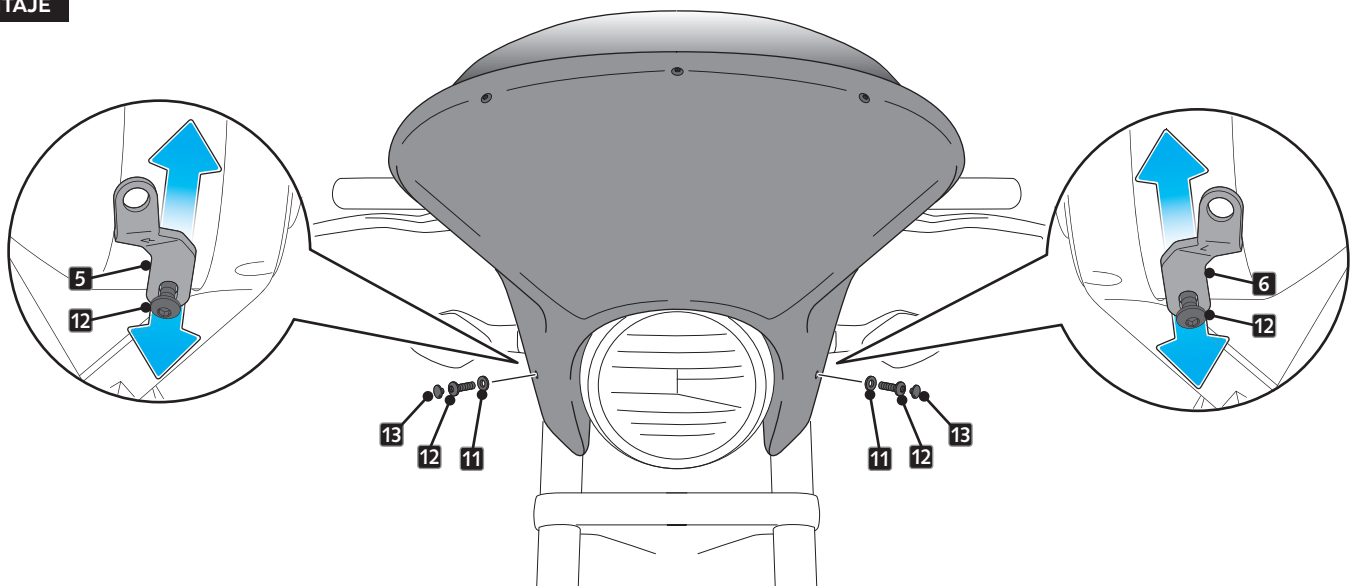
10

ASSEMBLY
MONTAJE



11

ASSEMBLY
MONTAJE



ID-12 AJUSTAR POSICIÓN SOPORTES Y APRETAR EL TORNILLO.
ADJUST POSITION SUPPORTS AND TIGHTEN ID-12 SCREW.