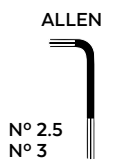


APRILIA TUAREG 660 '22-

M O U N T I N G I N S T R U C T I O N S

REF 21184

BEAK EXTENDER



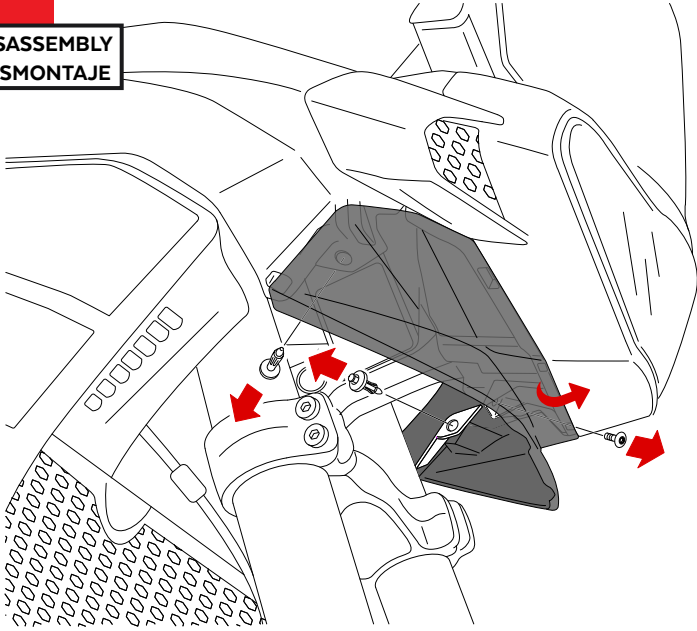
| ID. | PIEZA/PART | DESCRIPCIÓN | DESCRIPTION | QTY. | REF.: |
|-----|---|-----------------------------------|--------------------------------|------|-----------------|
| 1 |  | Pico | beak | 1 | 21184NM3 |
| 2 |  | Soporte | Support | 1 | SOPORIP3--21184 |
| 3 |  | Arandela de goma Ø4,5 x Ø11 x 2mm | Ø4,5 x Ø11 x 2mm Rubber washer | 3 | ARAND-EPDM--722 |
| 4 |  | Tornillo allen M5x12 DIN7991 | M5x12 DIN7991 Allen screw | 3 | TORNI-D7991-611 |
| 5 |  | Tornillo allen M5x16 Ø11 ISO 7380 | M5x16 Ø11 ISO 7380 Allen screw | 2 | TORNI-I7380-493 |
| 6 |  | Tornillo allen M4x12 Ø9 ISO 7380 | M4x12 Ø9 ISO 7380 Allen screw | 1 | TORNI-I7380-800 |
| 7 |  | Tapón tornillo M5 DIN7991 | M5 DIN7991 Screw cap | 3 | TAPON-----92 |

APRILIA TUAREG 660 '22-

INSTRUCCIONES DE MONTAJE - MOUNTING INSTRUCTIONS - MONTAGEANLEITUNG

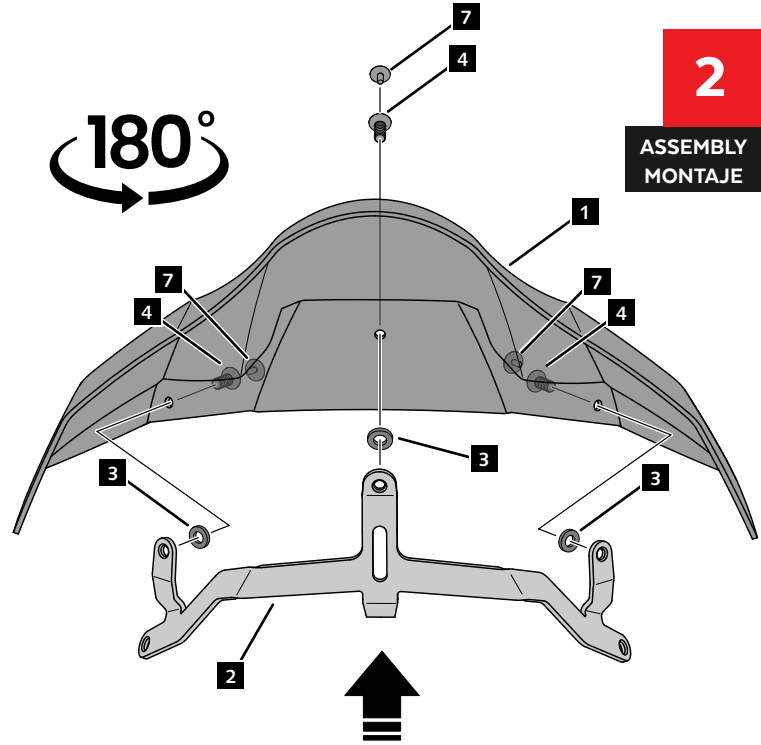
1

**DISASSEMBLY
DESMONTAJE**



2

**ASSEMBLY
MONTAJE**



3

**ASSEMBLY
MONTAJE**

